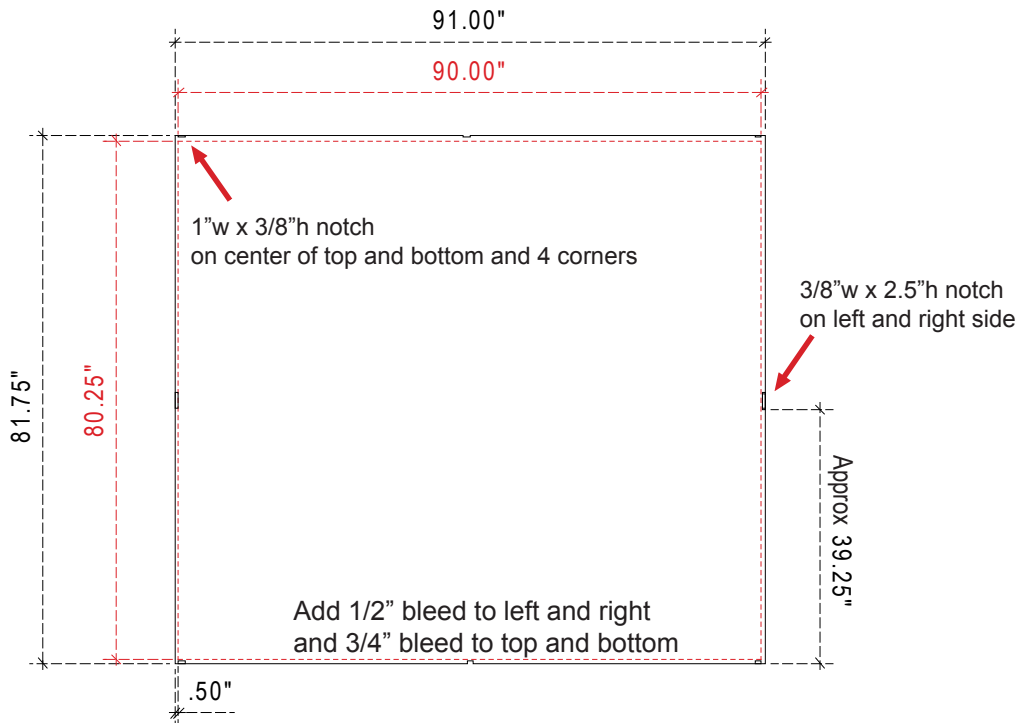


Product Name: VK-2101
Process: Colossus 8-Color
Material: Poly Knit 9
Effective Date: 09/20/13

NOTE: Graphic files must be @ 150 dpi Finished Size.
DO NOT send Flattened Files. Production can not manipulate the content, proportion or color of these files.

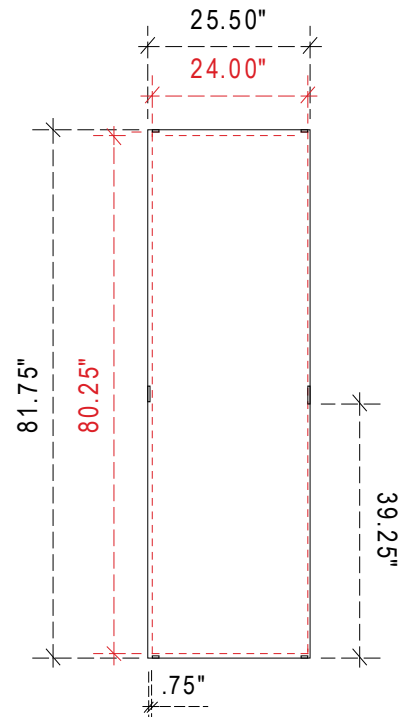
Backwall Tension Fabric Graphic (Included)



Finished Size: 91"w x 81.75"h
Live Area: 90"w x 80.25"h

Sew 1/2" hook Velcro into **front perimeter**

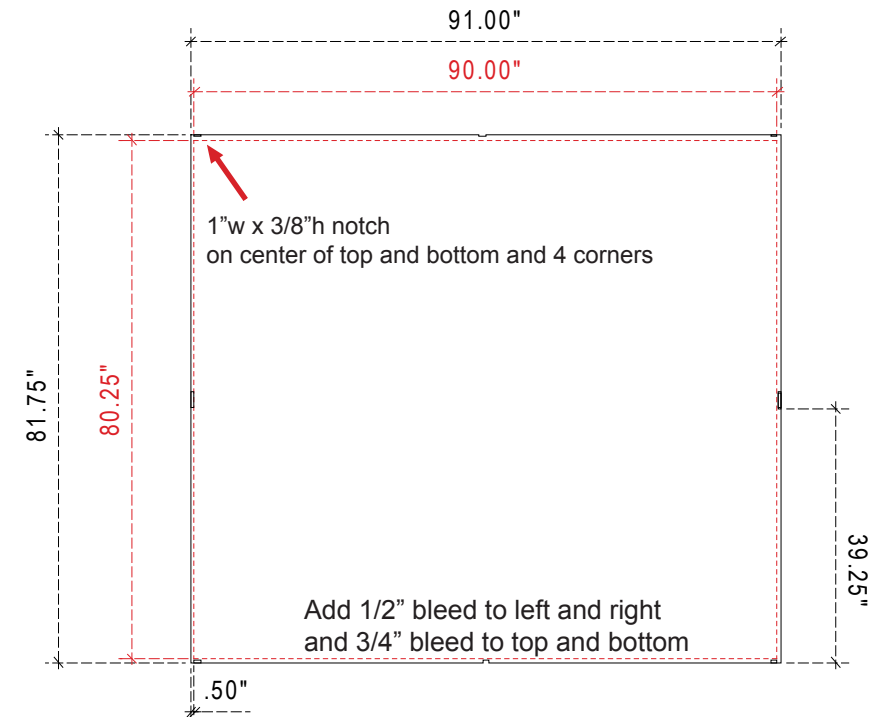
Banner Section Graphic (Included)



Finished Size: 25.5"w x 81.75"h
Live Area: 24"w x 80.25"h

Sew 1/2" hook Velcro into **front perimeter**

Backwall Large Section Graphic (Included)



Finished Size: 91"w x 81.75"h
Live Area: 90"w x 80.25"h

Sew 1/2" hook Velcro into **front perimeter**

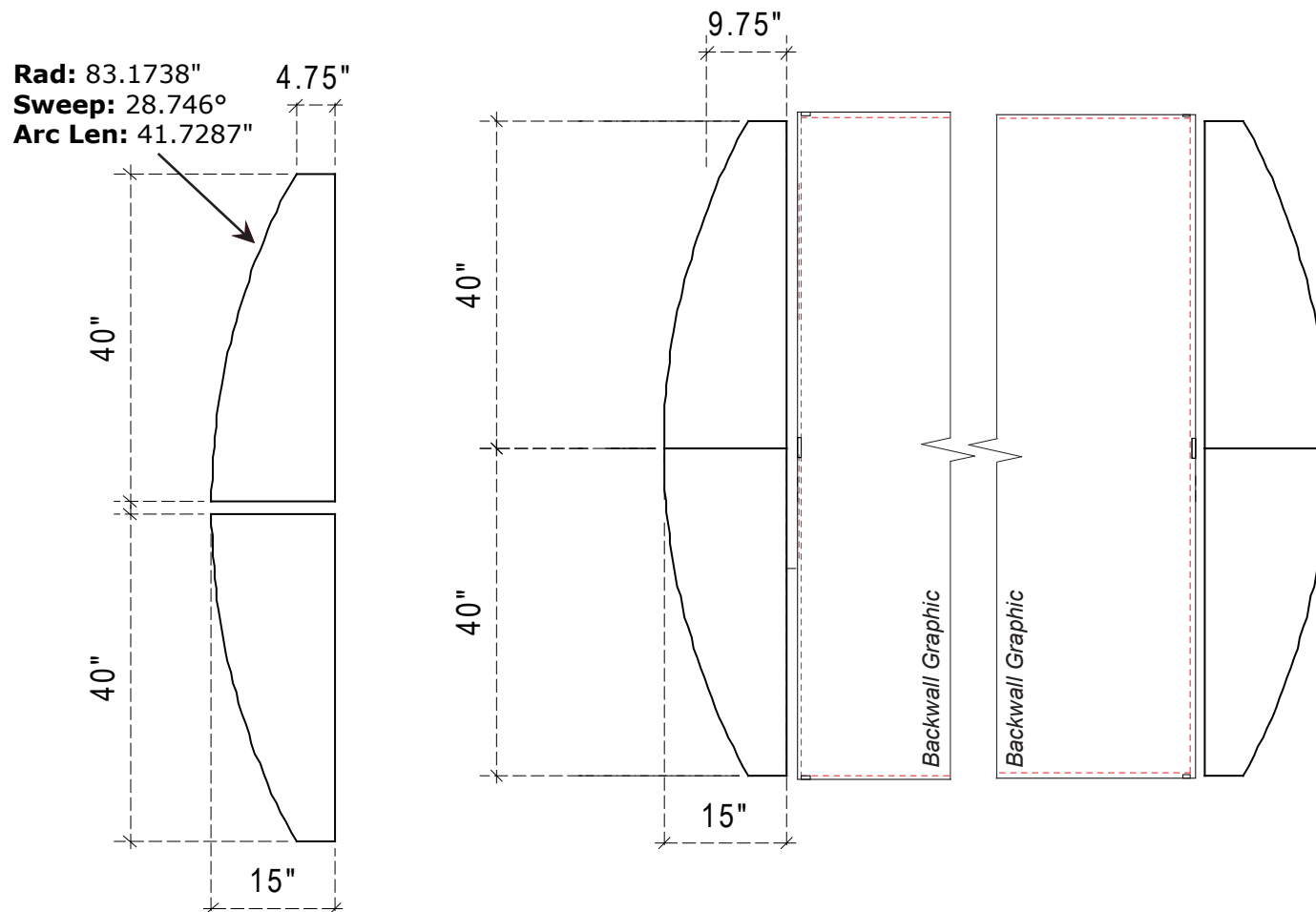
NOTE: These dimensions are for graphic layout purposes.
Graphic needs to be cut and test fitted to Sacagawea frame.

NOTE: Graphic files must be @ 150 dpi Finished Size.
DO NOT send Flattened Files. Production can not manipulate the content, proportion or color of these files.

A small portion of your graphic(s) may be hidden by monitor and counter. Please use these diagrams to position your graphics correctly.

Convex Wing for T-Series

20' Unit includes (2) Bottom Panels and (2) Upper Panels



NOTE: These dimensions are for graphic layout purposes.
Graphic needs to be cut and test fitted to Sacagawea frame.